

## 5" 2-WAY SPEAKER

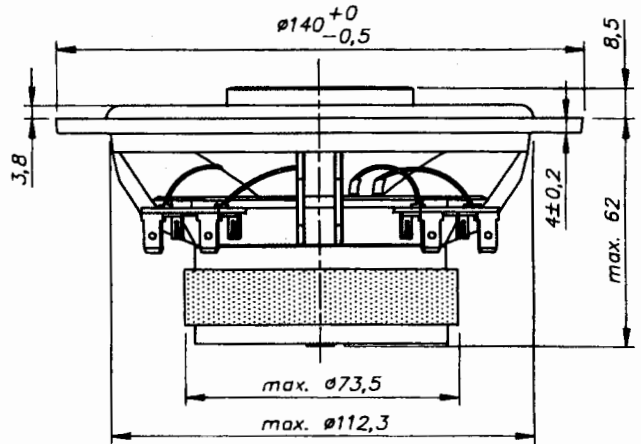
### • OPTIMIZED FOR CAR USE

- SPECIAL FEATURES: 5" WOOFER**
- MINERAL FILLED POLYCONE
  - MAGNESIUM BASKET
  - HIGH TEMPERATURE VOICE COIL

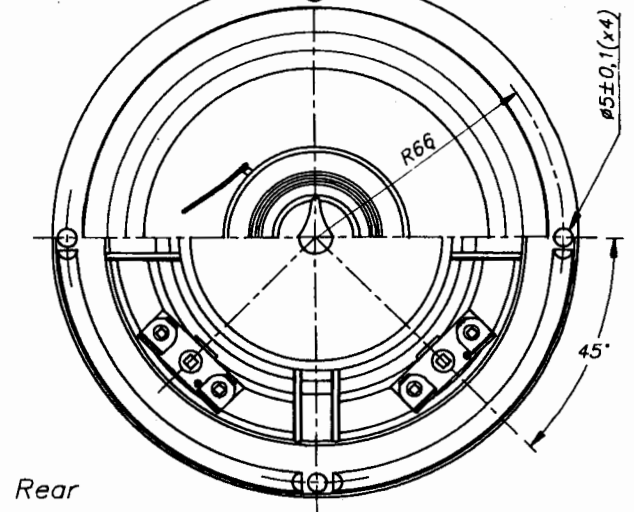
- SPECIAL FEATURES: TWEETER**
- POLYCARBONAT DIAPHRAGM
  - MAGNETIC FLUID
  - PREPARED FOR CUSTOMIZED FRONT
  - TWEETER IS NOT HORNLOADED BY WOOFER CONE

	WOOFER/TWEETER
NOMINAL IMPEDANCE	4/8 Ω
NOMINAL POWER (DIN 45573)	40 W
MUSIC POWER (DIN 45500)	55 W
FREQUENCY RANGE	80-20000 Hz
SENSITIVITY (1W, 1m)	85/92 dB
EFFECTIVE CONE AREA	86/- cm <sup>2</sup>
VOICE COIL RESISTANCE	3,0/6,5 Ω
VOICE COIL INDUCTANCE	0,5/- mH
OPERATING POWER	12,5/2,5 W
VOICE COIL DIAMETER	25/10 mm
VOICE COIL HEIGHT	12/2,2 mm
AIR GAP HEIGHT	6/1,5 mm
FREE AIR RESONANCE	80/4000 Hz
MOVING MASS (incl. air)	7/- g
FORCE FACTOR, B x l	3,8/- Txm
MAGNET WEIGHT (8,5/0,8oz)	240/23 g
Qms	2,71/-
Qes	0,69/-
Qts	0,55/-
Vas	6/- ltr

## A13WG-01-04



Front



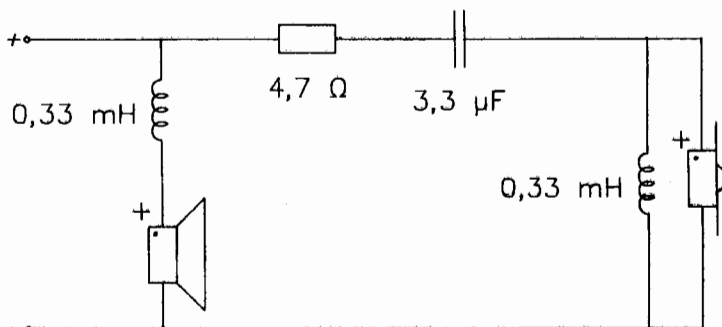
Rear



# A13WG-01-04

# Applications

Recommended x-over:  
For domestic and car use



The A13WG-01-04 is intended to be used in baffle installations in domestic as well as car hi-fi.

The recommended x-over is designed to have flat frequency response, with special care taken to the off-axis response.

This x-over is used for power-rating.

- \* Please note that the cumulative decay spectrum is measured 15° off axis to avoid colouring caused by diffraction on box and drivers.

