

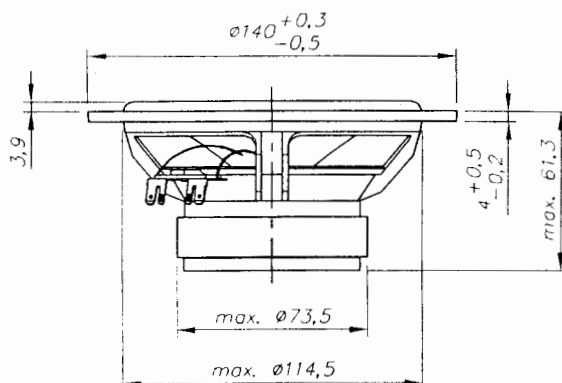
### 5" MIDRANGE

#### SPECIAL FEATURES:

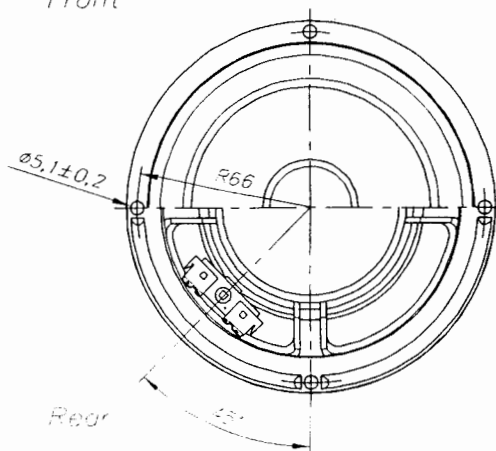
- MINERAL FILLED POLY CONE
- VERY LOW DISTORTION
- SMOOTH ROLL OFF
- OPTIMIZED OFF AXIS RESPONSE
- NEUTRAL MIDRANGE REPRODUCTION
- OPTIMIZED FOR CAR USE

NOMINAL IMPEDANCE	4 Ω
VOICE COIL RESISTANCE	3.0 Ω
NOMINAL POWER (IEC 268-5)	25 W <sup>1)</sup>
SHORT TERM MAX. POWER (IEC 268-5)	650 W <sup>2)</sup>
LONG TERM MAX. POWER (IEC 268-5)	120 W <sup>3)</sup>
OPERATING POWER	7.9 W
SENSITIVITY (1W, 1m) / (2.83V, 1m)	87/90 dB
FREQUENCY RANGE	0.2 - 6 kHz
FREE AIR RESONANCE	80 Hz
VOICE COIL DIAMETER	25 mm
VOICE COIL HEIGHT	8 mm
AIR GAP HEIGHT	6 mm
VOICE COIL INDUCTANCE	0.4 mH
EFFECTIVE CONE AREA	86 cm <sup>2</sup>
MOVING MASS (incl. air)	7.0 g
MAGNET WEIGHT (8.5 oz)	240 g
FORCE FACTOR, B x L	4.0 Txm
Vas	5.7 ltr
Qms	2.70
Qes	0.67
Qts	0.54

### P13MG-10-04



Front



Rear

### P13MG-10-04

#### DISPERSION PLOT

0, 30 and 60 deg.

Input: 2.83 V

Mic.: 1 m

1,8 ltr. box mounted in  
infinite baffle.

27.01.95 BD

Anechoic room 6 x 7 x 8 meters.  
Half space free-field above 100 Hz.  
Brüel & Kjær 2012 Audio Analyzer.

