

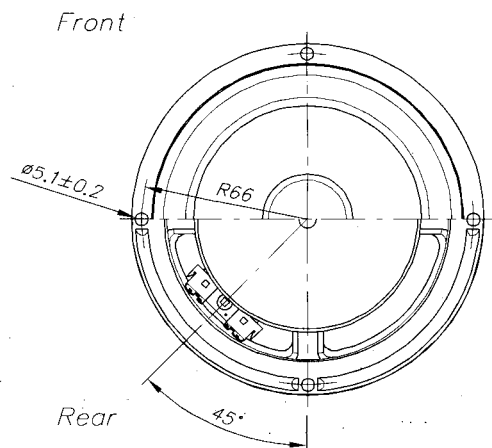
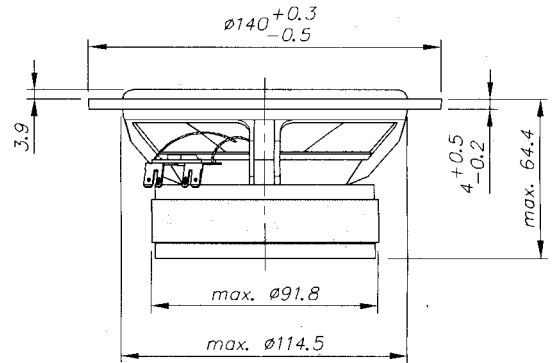
5" WOOFER

SPECIAL FEATURES:

- MINERAL FILLED POLY CONE
- LOW DAMPING RUBBER SURROUND
- SMOOTH ROLL OFF
- OPTIMIZED OFF AXIS RESPONSE
- NEUTRAL MIDRANGE REPRODUCTION
- OPTIMIZED FOR CAR USE

NOMINAL IMPEDANCE	4 Ω
VOICE COIL RESISTANCE	3.0 Ω
NOMINAL POWER (IEC 268-5)	40 W ¹⁾
SHORT TERM MAX. POWER (IEC 268-5)	400 W ²⁾
LONG TERM MAX. POWER (IEC 268-5)	130 W ³⁾
OPERATING POWER	7.1 W
SENSITIVITY (1W, 1m) / (2.83V, 1m)	87.5/90.5 dB
FREQUENCY RANGE	80 - 5000 kHz
FREE AIR RESONANCE	80 Hz
VOICE COIL DIAMETER	25 mm
VOICE COIL HEIGHT	12 mm
AIR GAP HEIGHT	6 mm
VOICE COIL INDUCTANCE	0.4 mH
EFFECTIVE DIAPHRAGM AREA	87 cm ²
MOVING MASS (incl. air)	8 g
MAGNET WEIGHT (14.6 oz)	415 g
FORCE FACTOR, B x L	5 Txm
Vas	5 ltr
Qms	2.35
Qes	0.49
Qts	0.41

P13WH-10-04



P13WH-10-04

DISPERSION PLOT
0, 30 and 60 deg.

Input: 2.83 V
Mic.: 1 m

1,8 ltr. box mounted in
infinite baffle.

27.01.95 BD

Anechoic room 6x7x8 meters.
Half space free-field above 100 Hz.
Brüel & Kjær 2012 Audio Analyzer.

