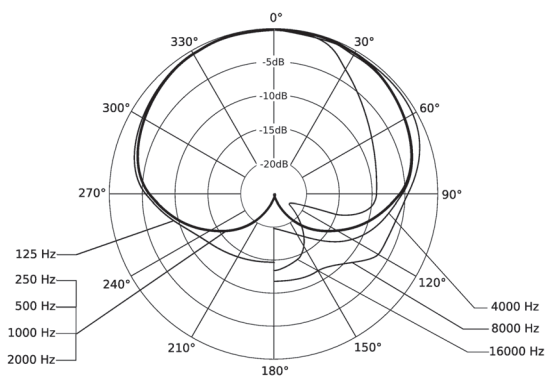
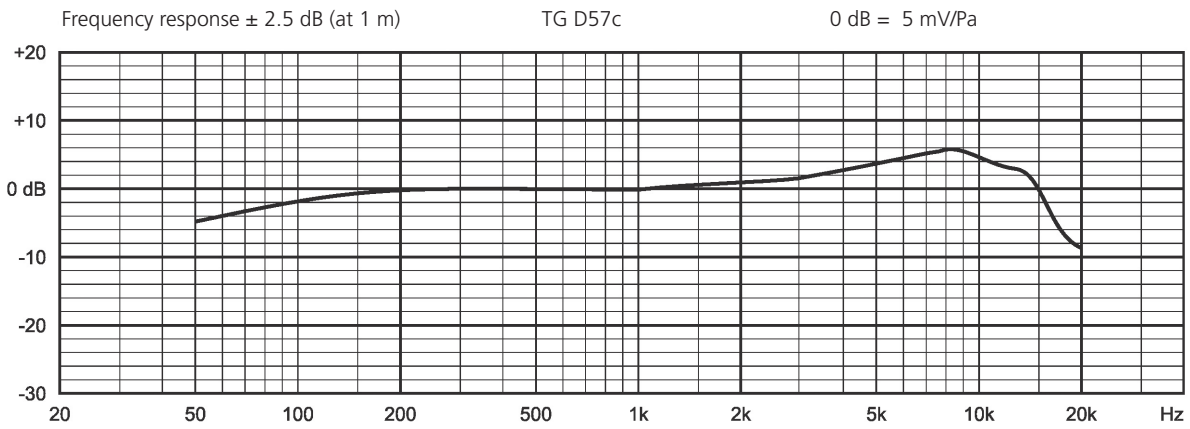


# TG D57c

## FREQUENCY RESPONSE & POLAR PATTERN

This polar pattern and frequency response curve ( $\pm 2.5$  dB) correspond to a typical production sample for this microphone.



## WIRING DIAGRAM

Positive pressure produces positive voltage on pin 2.

